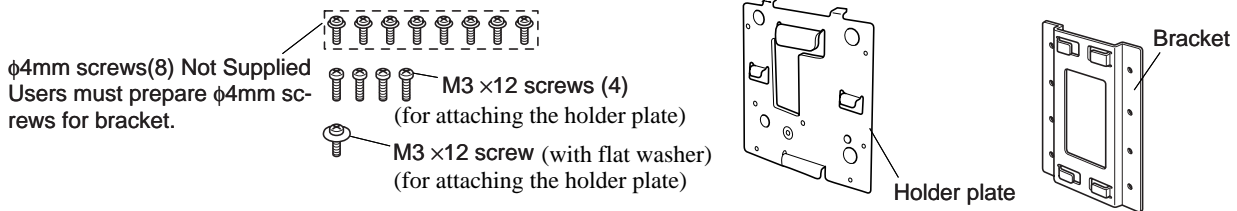


Attaching the Wall Mounting Bracket of TSP800

1. Unpacking : Confirm that all accessories are included.



2. Attaching procedure :

Precautions when mounting

- ✓ Unplug the power cord from the outlet before starting any of the following operations.
- ✓ Select a location where the unit will not be exposed to water or impact. Make sure the wall material has sufficient width for mounting the brackets.
- ✓ Carefully select screws for mounting the bracket to the wall. These screws must have sufficient strength to hold the printer and must be long enough to enter the wall and provide a secure mounting. Remember that we will in no way be responsible for damage resulting from the printer falling due to insufficient mounting strength.
- ✓ The weight of the printer, including a roll of paper with the largest diameter, is approximately 2.9 kg.
- ✓ The screws for mounting the bracket must have both a shear and tensile strength capable of withstanding a load of 12 kgf (118 N) or more. It is recommended that anchor nuts be used.
- ✓ A screw diameter of 4 mm is recommended.
- ✓ Always use all eight (8) screw holes in the mounting bracket when securing the mounting bracket to the wall.
- ✓ Mount the bracket to the wall so that its mounting accuracy is within a range of $\pm 2^\circ$ perpendicular.
- ✓ The wall used for mounting should be $90^\circ \pm 2^\circ$ to or the horizontal reference.

2-1 Specifications of the wall mounting bracket

Main unit outer dimensions	121 × 168 × 14.5 mm (Width × Height × Depth)		
Main unit weight	Approx. 0.27 kg.		
Screws for wall mounting bracket	Wood structure wall	The eight (8) screws used must have both a shear and tensile strength capable of withstanding a load of 12 kgf (118 N) or more	Use commercially available screws that have sufficient strength to withstand the weight of the main unit.
	Concrete wall	The anchor nuts used must have both a shear and tensile strength capable of withstanding a load of 12 kgf (118 N) or more	

2-2 Mounting the bracket for the wall mount model

- ① Make sure there is enough room for the printer with the printer cover open, especially in front of the printer.
- ② As shown in the illustration to the right, place the mounting bracket against the wall where the printer is to be mounted and mark the positions of the screw holes.
- ③ Drill holes at the locations marked.
- ④ Secure the bracket in place using screws with a diameter of 4 mm.

Note : Not included in the package. The customer is to prepare the screws that meet the type of wall to be used for mounting.

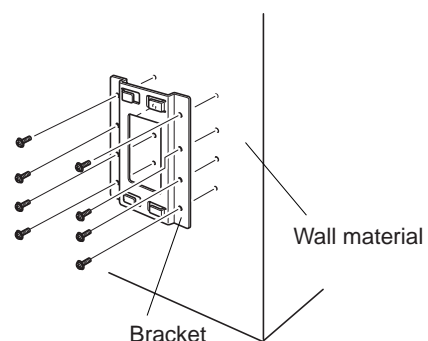
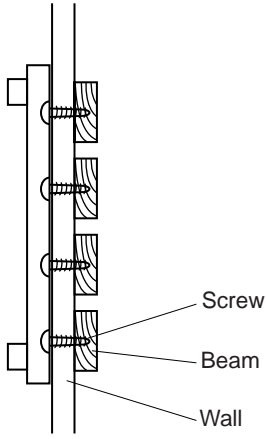
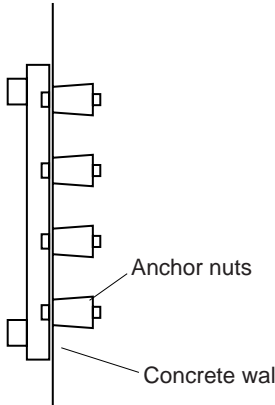


fig.1 Attaching the bracket

Wood structure wall	Concrete structure wall
 <ul style="list-style-type: none"> • Locate the beams in the wall and mount using them. • Do not tighten the screws or anchors to locations with one wall sheet. Always make sure that the screws penetrate the beams. (This is so the weight of the printer can be supported.) 	 <ul style="list-style-type: none"> • Drive the anchor nuts into the wall and tighten the screws.

2-3 Attaching the holder plate

- ① Remove the screw from the printer as shown in the illustration.
- ② Attach the holding plate to the printer, and then tighten the four M3 screws supplied to fix it securely in place.
The screw fitted with a flat washer is to be used in the place from which the screw was previously removed.

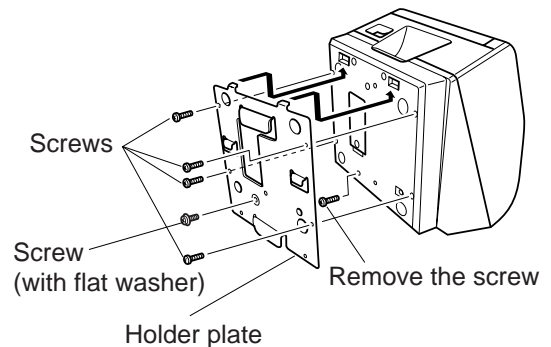


fig.2 Attaching the holder plate

2-4 Setting the printer onto the bracket

Position the printer over the wall bracket and then slide it downwards to set it in place.
The printer is fixed in place by interlocking the hook on the plate attached to the bottom of the printer with the hook connector on the bracket. It is not necessary to secure it further with screws, etc.

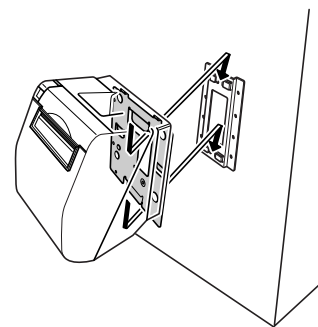


fig.3 Setting the printer onto the bracket

2-5 Setting the roll paper

- ① Push the cover open lever, and open the printer cover.
- ② Insert the roll paper as shown.

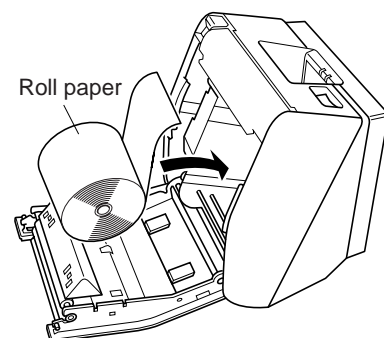


fig.4 Setting the roll paper