


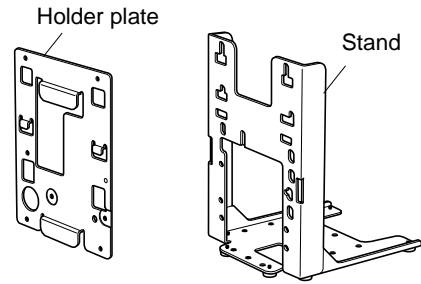
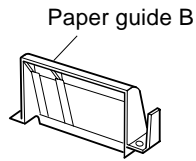


Attaching the TSP600 vertical stand

1. Unpacking : Confirm that all accessories are included.

-  M3 × 6 screws (4)
(for attaching the holder plate)
-  M3 × 8 screws (2)
(for attaching the paper guide B)
-  M4 × 8 screws (2)
(for attaching the stand)



2. Attachment procedures :

Note: Ensure that power that is supplied to the printer and that all devices connected to the printer have been switched OFF and that the cables have been unplugged before starting the modification. If the AC adapter is connected to the printer, unplug it from the main socket.

The base for setting the stand should be within a range of $\pm 2^\circ$ in reference to the horizontal direction.

2-1. Changing the position of the near end sensor

- ① Push the cover open lever, and open the printer cover.
- ② Press the sensor hole with the tip of a pen or any other pointed-tip object and slide the Near End Sensor to the Level 2 position shown in the figure. Check that the protrusion is securely fit into the groove.

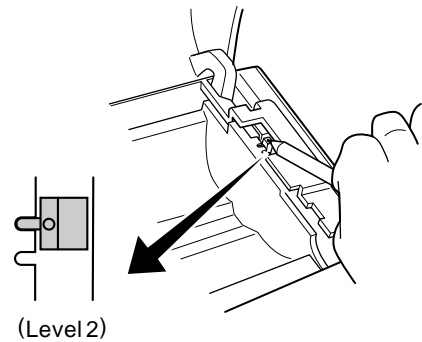


fig.1 Changing the position of the near end sensor

2-2. Attaching the paper guide B

Attach the paper guide B to the printer. Then tighten the two M3 screws that were supplied to secure it in place.

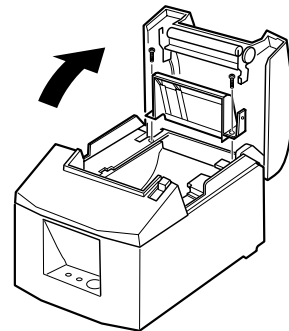


fig.2 Attaching the paper guide B

2-3. Attaching the holder plate

Attach the holding plate to the printer. Then tighten the four M3 screws that were supplied to secure it in place.

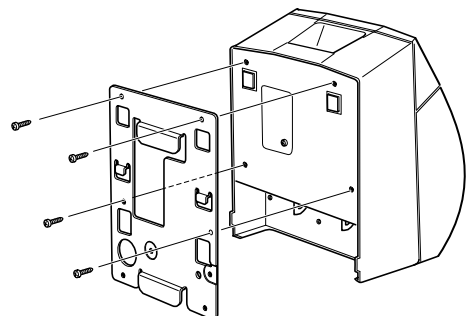


fig.3 Attaching the holder plate

2-4. Setting the printer on the stand

Insert the two hooks on the holding plate through the two holes on the stand. Three different positions are available for insertion. Select the highest position. Once the hooks have been inserted into the holes, secure the printer on the stand using the two screws.

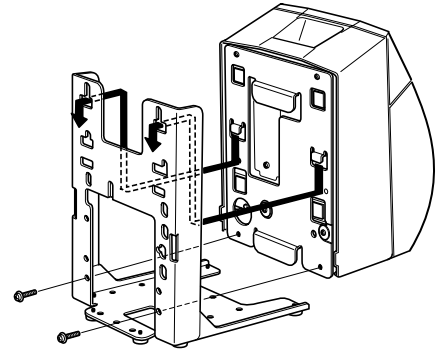


fig.4 Setting the printer on the stand

2-5. Setting the roll paper in place

- ① Push the cover open lever, and open the printer cover.
- ② Insert the roll paper as shown.

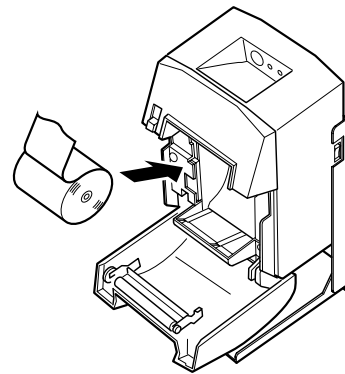


fig.5 Setting the roll paper in place